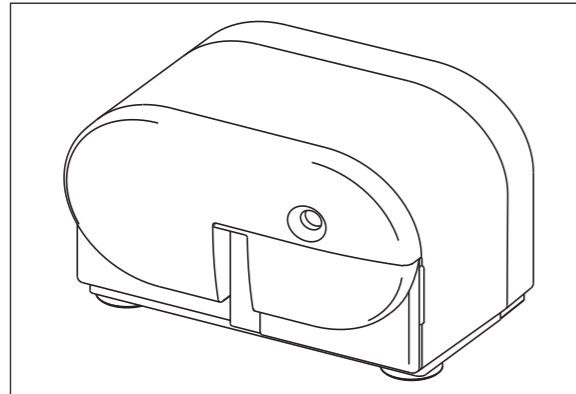


Operating Instructions

Electric Pencil Sharpener Model: 11222



LEDAH

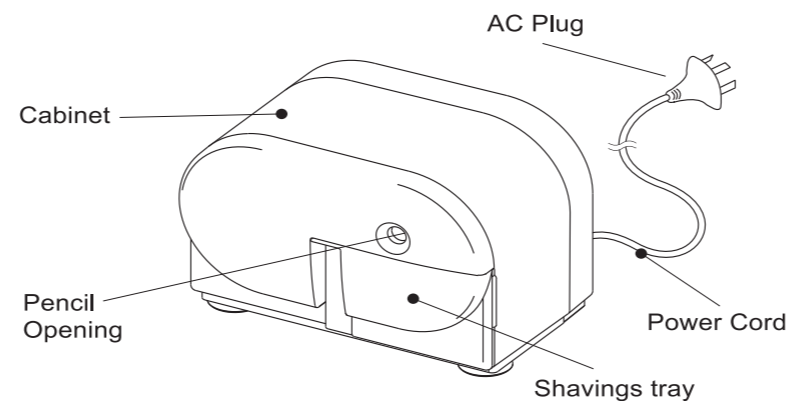
Before operating this unit, please thoroughly read these instructions

Thank you for purchasing the **LEDAH 11222**
Electric Pencil Sharpener

■ Specifications

Power source : 220-240V,50HZ
Current : 1.8A
Thermal switch: 90°C
Dimensions: (H110xW160xL104mm)
Weight : 2.6lbs. (1.2kg)

■ Parts Identification

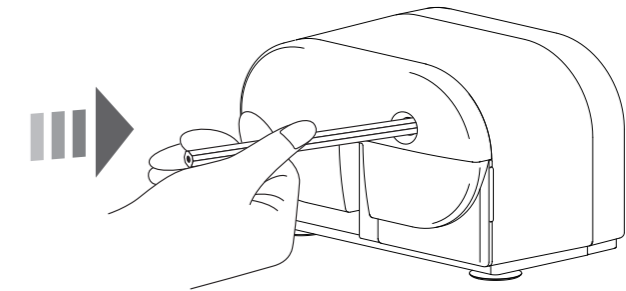


-2-

LEDAH

■ How to Use

1. Insert the AC plug into any standard 220-240V AC outlet.
2. Simply insert pencil into the pencil opening and the **11222** will start sharpening immediately.
Keep the pencil inserted straight to avoid uneven sharpening.

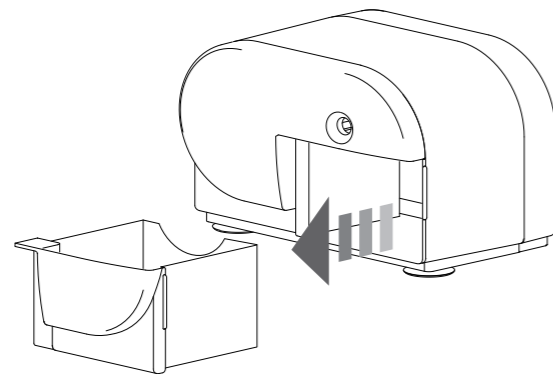


3. At the end of the sharpening cycle, the "AUTO STOP" feature will operate by automatically stopping the cutter blades away from the pencil.
Note: Some pencils with uncentered lead (pencil defect) will not sharpen evenly.

-3-

LEDAH

4. Pull out the pencil when you feel the end of the sharpening cycle.
5. For smooth trouble-free operation, empty shavings tray frequently.



NOTE: When the shavings tray is removed, the pencil sharpener will not operate. Please insert the shavings tray prior to use.

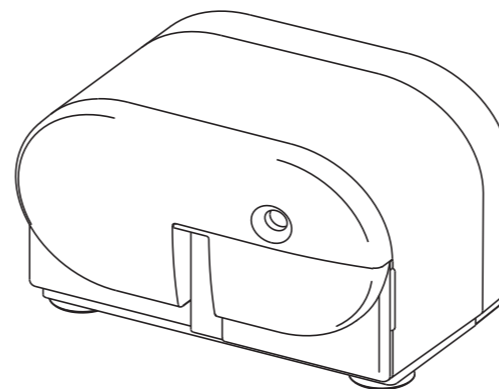
-4-

LEDAH

■ Caution

1. To prevent motor damage, remove the pencil from the pencil opening when point is sharpened.
2. **DO NOT** insert hard materials such as pens, chalk, crayons or soft coloring pencils which will damage or clog the cutter blades.

DO NOT INSERT



3. If the motor should overheat, a safety device (thermal switch) will **operate** to protect the motor from damage. If this should occur, unplug the power cord and let the unit cool down for approximately 40 minutes. During this time the thermal switch will cool and reset automatically.

LEDAH

4. The cabinet can be cleaned with a cloth, dampened with a mild soap and water solution only.
Ensure sharpener is completely dry before operation.

LEDAH

Distributed in Australia by:
Bantex Pty Ltd
17 Interchange Drive
Eastern Creek NSW 2766
Telephone: 1300 655 667
Email: customersupport@bantexgroup.com.au
www.bantex.com.au